

Certified by ISO9001 International Quality Control System

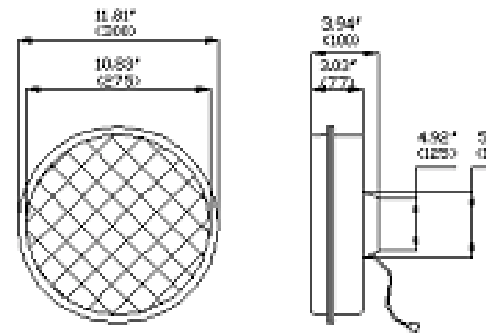
JXC300-07 Series 12-Inch LED Vehicular Lamps

Features

- Compliance with latest ITE specifications
- Low power consumption & long operating lifetime LEDs
- Retrofit design & UV stabilized lens
- MIL-STD-883 mechanical vibration
- MIL-STD-810F moisture resistant
- Compliance with FCC Title 47
- Full compatibility with NEMA controllers/conflict monitors
- Uniform incandescent appearance

Dimensions

(Dimensions in inch/mm)



Model Number	Size (mm)	Color (nm)	Voltage (Typical)	Voltage Range	Power(w) Typical	Operation Temperature	Power Factor	T.H.D
JXC300-07R	300	Red (626)	120V~60hz	80v~135v	10.5	-40°F ~ +165°F	> 0.9	< 20%
JXC300-07Y	300	Yellow (592)	120V~60hz	80v~135v	16	-40°F ~ +165°F	> 0.9	< 20%
JXC300-07G	300	Green (505)	120V~60hz	80v~135v	12	-40°F ~ +165°F	> 0.9	< 20%

All characteristics, including chromaticity, moisture and vibration resistance, electronic noise, transient protection, etc., are in compliance with the standards specified in ITE LED Vehicle Signal Modules.

For additional technical information or sales support regarding these and other LED products, please contact: