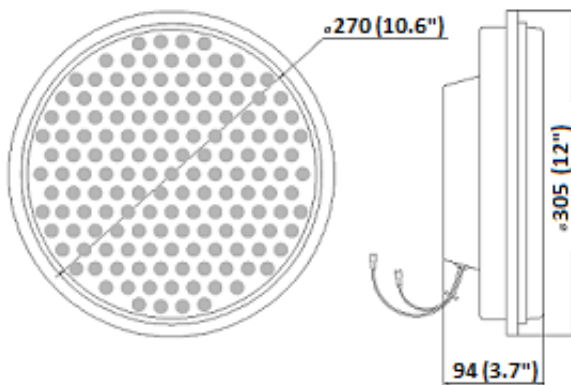


Certified by ISO9001 International Quality Control System

JXC-300CA Series LED Vehicular Lamps

Features & Specifications

- Compliance with ITE/Caltrans specifications
- Retrofit design & UV stabilized lens
- MIL-STD-883 mechanical vibration
- MIL-STD-810F moisture resistant
- Compliant to FCC Title 47
- Fully compatible with NEMA controllers/conflict monitors
- Wide viewing angle for span wire/mast arm mount



Model Number	JXC-300CAR	JXC-300CAY	JXC-300CAG
Size (mm)	300mm	300mm	300mm
Color (nm)	Red (626)	Yellow (592)	Green (505)
Voltage (Typical)	120V - 60hz	120V - 60hz	120V - 60hz
Voltage Range	80V - 135V	80V - 135V	80V - 135V
Power (w) Typical	10.5	17	12
Operation Temperature	-40°F to +165°F	-40°F to +165°F	-40°F to +165°F
Power Factor	> 0.9	> 0.9	> 0.9
T.H.D.	< 20%	< 20%	< 20%
ITE/Caltrans Specifications	Yes	Yes	Yes

All characteristics, including, chromaticity, moisture and vibration resistance, electronic noise, transient protection, etc., are conformed to standards specified in ITE LED Vehicle Signal Modules.

For additional technical information or sales support regarding these and other LED products, please contact us at (972) 480-0888 or visit our website at www.trastarusa.com.