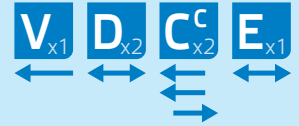


One Channel Video Processor

MPH is the next generation high performance H.264 network video product encoding real time video in unmatched quality in mission critical applications for customers in rail, road, airport, city center monitoring and corporate security.



-34...+74 °C

H.264
MPEG-4
MJPEG
MPEG-2



MPH101 and MPH111 can deliver up to four independent video streams at full frame rate and full SD resolution using H.264, MPEG-2, MPEG-4 or MJPEG, or any combination of these. This allows security professionals to optimise each of the individual streams for its purpose, e.g. live viewing, recording, web applications, PDA etc. It also ensures safe and seamless migration path from any legacy hybrid video network towards fully H.264 based network.

The video streams can be decoded by standards compliant media players and video decoder devices. The stream authenticity is an integral part of the solution fulfilling the most stringent requirements for evidential material set by authorities.

The built-in EIA RS data channels provide multi-vendor PTZ camera control through Ethernet network. The alarm inputs and output can be used to trigger events and control external devices.

MPH provides direct copper or fibre connectivity to Fast/Gigabit Ethernet networks. The use of SFP plug-in optics makes it suitable for deployment in a wide range of optical networks.

In addition to Command Line Interface (CLI) and comprehensive Web user interface, MPH speaks ONVIF fluently. This provides straight forward interoperability with any ONVIF compliant management system. Integration to third party systems can also be achieved using RTSP, SAP or SNMP.

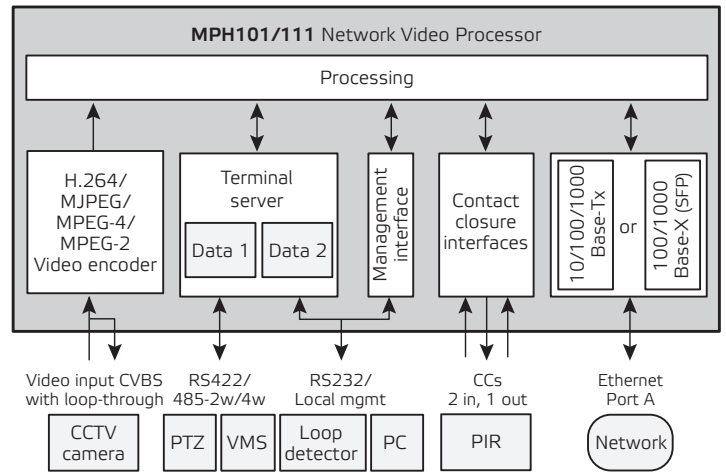
Reliability is the second name of the platform. Low cost of ownership is guaranteed by the industry leading figures in terms of power consumption per functionality as well as the mechanical design which is custom made to fit the high performance criteria in harsh environment. MPH meets the compliance requirements of EN50121 Railway standard as well as NEMA TS2 standard widely used for ITS applications.

MPH is the industry leader in video encoding for surveillance applications. It gives you the touch and feel of traditional analogue systems while providing the flexibility and manageability provided by today's Ethernet networks.

Features

- QCIF to SDTV resolution at 25/30 fps
- Simultaneous H.264, MPEG-4, MPEG-2 and MJPEG encoding
- Quad streaming to full D1
- Low video latency
- Support for transparent data tunnelling and ONVIF PTZ service
- Alarm inputs and relay output
- Built-in video analytics
- Video signature for content authentication
- Text overlay
- Privacy masking
- Industrial design for -34 ...+74°C operating temperature
- Support for ONVIF and SNMP management interface
- Support for WebUI and CLI user interface
- Support for SFP
- Optional support for PoE

Block diagram



Technical specifications (Typical values unless otherwise stated, * = define when ordering, ** = optional, *** = ordered separately)

Video			Ethernet Protocols		
Number of inputs	1 PAL/NTSC	with video loop trough	Video/Data	RTP, UDP, TCP, IP, SAP, RTSP	
Nominal level	1.0 Vpp		Management	SNMP **, HTTP, DHCP, SSH, Telnet	
Input impedance	75 ohms		Generic	DHCP, DNS, ZeroConf, ICMP, IGMPv3, ARP, NTP, QoS	
Number of encoding profiles	8		SFP Transceivers ***		
Number of output streams	4 per profile	multicast/unicast	See separate document "Product Specification / SFP Transceivers"		
Encoding ¹⁾	ISO/IEC 14496-10 RFC 2435 ISO/IEC 14496-2 ISO/IEC 13818	H.264 MP, BP, CBP MJPEG MPEG-4 SP/ASP ** MPEG-2 MP@ML **	Management		
Resolution	½D1, D1 QCIF, CIF, 2CIF, 4CIF	H.264 MP, MPEG-4 ASP, MPEG-2 H.264 CBP, H.264 BP, MJPEG, MPEG-4 SP, MPEG-2	WebUI	Local via Ethernet port, remote via network	
Frame rate (fps)	1...25 PAL, 1...30 NTSC 25 PAL, 30 NTSC	H.264, MJPEG, MPEG-4 MPEG-2	CLI	Via telnet, SSH or local RS232	
Output bit rate (adjustable)	64 kbps...8 Mbps	H.264, MJPEG, MPEG-4, MPEG-2	SNMP **	Remote via network ²⁾	
Latency	< 120 ms		ONVIF	Industry standard ONVIF protocol ²⁾	
Video pre processing	motion adaptive deinterlace, freely scaled antialiased truetype text overlay, privacy zone masking		Diagnostics	SNMP ** or ONVIF	
Video content analytics (VCA)	tampering detection, motion detection		Software update	Local or remote via CLI, WebUI or ONVIF	
Video authentication	cryptographic signatures (RSA)		General		
Video connector	BNC female	CVBS video	Supply voltage	10.5...28 V DC Power Over Ethernet Plus support (PoE+, 802.11at) **	
Data			Power consumption	4 W	
Number of channels	2	bi-directional	PSU connector	2-pin removable screw terminal	
Data 1 standard	RS422/485	selectable, with term/bias	Dimensions (H x W x D)	41 x 129 x 166.5 mm (1.6 x 5.1 x 6.6")	
Data 2 standard	RS232	fixed	Weight	1.0 kg (2.2 lbs)	
Bit rate	0.6...230.4 kbps	standard speeds	Mounting options	Wall mounting, DIN rail ***	
Format	asynchronous	standard framings	Operating temperature	-34...+74 °C (-29...+165 °F) temperature hardened	
ONVIF PTZ service	Pelco D, Pelco D Extended	PTZ protocols	Storage temperature	-40...+80 °C (-40...+176 °F)	
Transport	TCP/IP unicast or UDP/IP multicast	selectable	Approvals	CE, FCC	
Data connector	removable terminal		EMC	EN 50130-4, EN 50121-4, EN 61000-6-3, FCC 47 part 15	
Contact Closure			Environmental	IEC/EN 60068 series Cold, Dry heat, Vibration, Shock, Dump, Dump heat and Random Vibration, NEMA TS 2-2003	
Number of channels	2 inputs / 1 output		Ordering Code		
<u>Input</u>			MPH101	1 Ch H.264/MJPEG Encoder, Fast Ethernet, RJ-45	
dry contact	on/off	short circuit	MPH111	1 Ch H.264/MJPEG Encoder, Fast Ethernet, SFP support	
current loop (opto isolated)	logical 0 (0...+1.4 VDC), logical 1 (+2.2...+30 VDC)		Additional Features and Services ***		
<u>Output</u>			MLH241	Network interface upgrade to Gigabit Ethernet	
relay	max. 30 VDC / 0.6 A		MLH251	Support for PoE	
Control delay	< 20 ms		MLH321	MPEG-2 encoding licence for 1 Channel MPH	
CC connector	removable terminal		MLH331	MPEG-4 encoding licence for 1 Channel MPH	
Ethernet Interface			MLH371	Support for SNMP configuration interface	
Number of ports	1 full duplex	electrical or SFP slot *	MSH001	Configuration Service	
Speed	100Mbps / 1000Mbps **		MSH271	Extended Warranty	
Fast Ethernet	10/100BASE-TX 100BASE-FX	fixed SFP ***, with SGMII mode	MSH380	SLA	
Gigabit Ethernet **	10/100/1000BASE-T 1000BASE-X	fixed SFP **	Accessories ***		
Ethernet connector	RJ-45 female LC	electrical optical	CPS250/251/252/253	Power supply	12 VDC 3.3 A
			CIC506	Management cable	D9F/Open wires
			MAC003	DIN Rail mounting kit	
			Notes		
			¹⁾ H.264 and MJPEG are default encoding engines. MPEG-2 and MPEG-4 are add-on options		
			²⁾ The unit can support either SNMP or ONVIF interface, but not both simultaneously		

Copyright © TELESTE CORPORATION. We reserve the right to make changes without prior notice.